

KARGO 35W

LED Recessed Downlight 200mm Cutout

dynamic series

Efficient. Cutting Edge. Reliable

The KARGO 35W downlight is phase dimmable, constructed with a thermal heatsink included to ensure the downlight disperses any heat keeping it cool to touch. Used by builders, developers and a favourite with electricians.

KARGO 35W LED Downlight adopts a high lumen SMD LED, and PMMA diffuser with even light output.

Verified by Techlume Australia on 31/07/2023



SPECIFICATIONS

Material Specifications

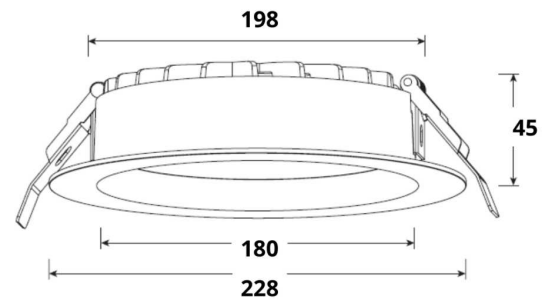
Material	High Grade Aluminium + PC Reflector
Colour	Matt White (RAL9016)
Dimensions	228mm Face Dia x 45mm (H)
Cutout	200 - 215mm (Dia)
Ingress Protection	IP54
Impact Rating	IK06
Warranty	5 Year Replacement

Electrical Specifications

Power Supply	Remote Driver, Phase Dim
System Watts	31.2W - 32.9W
Thermal Testing	Compliant with IC-4 Classification
Operating Temperature (Ta)	-20°C to +45°C
Input Voltage	240V, 50/60Hz
Connection Method	Australian 2-Pin Plug & 0.6m Lead

Optic Specifications

Light Source	35W SMD 2835 LED
Delivered Lumens	3,000lm (3000K)
Delivered Lumens	3,544lm (4000K)
Delivered Lumens	3,298lm (5500K)
Efficacy	Up to 113.7lm/W
CRI	Ra >82
Beam Angle	100°
Calculated L70 (Hours)	L70B50 => 60,000 Hrs
Calculated L80 (Hours)	L80B50 => 60,000 Hrs
Calculated L90 (Hours)	L90B50 => 56,000 Hrs



VARIATIONS

LC3645	KARGO 35W Downlight, White, 100°, Phase Dim, Tri-Colour
LC3645D	KARGO 35W Downlight, White, 100°, DALI, Tri-Colour
LC3645B	KARGO 35W Downlight, Black, 100°, Phase-Dim, Tri-Colour
LC3645BD	KARGO 35W Downlight, Black, 100°, DALI, Tri-Colour