

Classic Series

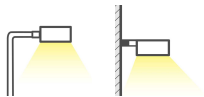
Proven. Quality. Customisable

KINGSTON 100W

Architectural Streetlight

The KINGSTON 100W Roadway Lighting Series is powered by the Crystal OpticLED platform, and features an innovative thermal management design, offering exceptional performance and value. This versatile luminaire can be tailored to the unique specifications of each project. Tool-Free Opening Clip, allowing for Top Opening Easy Maintenance. The KINGSTON Streetlight Series is fitted with a knife switch safety feature to cut off the power supply when the device is open.

Verified by Techlume Australia on 03/04/2023



IP66



SPECIFICATIONS

Material Specifications

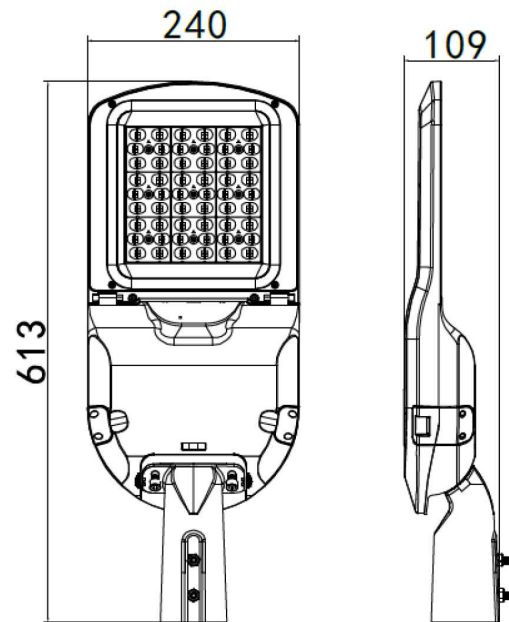
Housing	High Pressure Die-Cast Aluminium Alloy, Clear Tempered Glass
Finish	Polyester Powder Coat, Signal Black
Dimensions	613mm(L) x 240mm(W) x 109mm(H)
Spigot Size	60mm
Ingress Protection	IP66
Impact Rating	IK10
Weight	4.0kg
Mounting Height	6m - 8m
Warranty	5 Year Replacement

Electrical Specifications

Power Supply	Integrated Inventronics Driver
System Watts	98.4W - 100.3W
Input Voltage	240VAC, 50/60Hz
Options	Dimming System/ PE Cell/ NEMA Socket
Operating Temperature (Ta)	-20° to + 55°C

Optic Specifications

Light Source	LED SMD 5050
Efficacy	Up to 149lm/W
Correlated Colour Temperature	4000K (3000K Available for project orders)
CRI	Ra 79
Calculated L90 (Hours)	49,000 Hrs
Calculated L70 (Hours)	79,000 Hrs



VARIATIONS

LC6140-T2	KINGSTON 100W Streetlight, Signal Black, T2, 4000K, 14,200lm
LC6140D-T2	KINGSTON 100W Streetlight, Signal Black, T2, DALI, 4000K, 14,200lm
LC6140-T3	KINGSTON 100W Streetlight, Signal Black, T3, 4000K, 14,369lm
LC6140D-T3	KINGSTON 100W Streetlight, Signal Black, T3, DALI, 4000K, 14,369lm
LC6140-T3A	KINGSTON 100W Streetlight, Signal Black, T3A, 4000K, 14,925lm
LC6140D-T3A	KINGSTON 100W Streetlight, Signal Black, T3A, DALI, 4000K, 14,925lm

T3A

LC6140-T4 KINGSTON 100W Streetlight, Signal Black, T4, 4000K, 15,419lm

LC6140D-T4 KINGSTON 100W Streetlight, Signal Black, T4, DALI, 4000K, 15,419lm

LC6140-T5 KINGSTON 100W Streetlight, Signal Black, T5, 4000K, 15,419lm

LC6140D-T5 KINGSTON 100W Streetlight, Signal Black, T5, DALI, 4000K, 15,419lm

Classic Series

Proven. Quality. Customisable