

# KINGSTON 25W

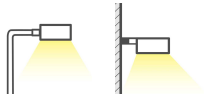
## Architectural Streetlight

**Classic Series**

Proven. Quality. Customisable

The KINGSTON 25W Roadway Lighting Series is powered by the Crystal OpticLED platform, and features innovative thermal management design, offering exceptional performance and value. This versatile luminaire can be tailored to the unique specifications of each project. Tool Free Opening Clip, allowing for Top Opening Easy Maintenance. The KINGSTON Streetlight Series is fitted with knife switch safety feature to cut off power supply when the device is open.

Verified by Techlume Australia on 05/04/2023



**IP66**



### SPECIFICATIONS

#### Material Specifications

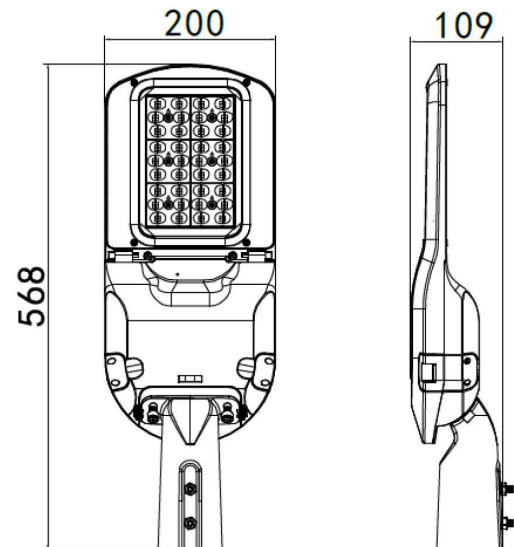
<b>Housing</b>	High Pressure Die-Cast Aluminium Alloy, Clear Tempered Glass
<b>Finish</b>	Polyester Powder Coat, Signal Black
<b>Dimensions</b>	568mm(L) x 200mm(W) x 109mm(H)
<b>Spigot Size</b>	60mm
<b>Ingress Protection</b>	IP66
<b>Impact Rating</b>	IK10
<b>Weight</b>	4.0kg
<b>Mounting Height</b>	3m - 5m
<b>Warranty</b>	5 Year Replacement

#### Electrical Specifications

<b>Power Supply</b>	Integrated Inventronics Driver
<b>System Watts</b>	25.3W - 26.5W
<b>Input Voltage</b>	240VAC, 50/60Hz
<b>Options</b>	PE Cell/ NEMA Socket
<b>Operating Temperature (Ta)</b>	-20° to + 55°C

#### Optic Specifications

<b>Light Source</b>	LED SMD 5050
<b>Delivered Lumens</b>	4,063lm - 4,166lm
<b>Efficacy</b>	Up to 160.8lm/W
<b>Correlated Colour Temperature</b>	4000K (3000K available for project orders)
<b>CRI</b>	Ra 80
<b>Calculated L90 (Hours)</b>	49,000 Hrs
<b>Calculated L70 (Hours)</b>	79,000 Hrs



### VARIATIONS

<b>LC6105-T1</b>	KINGSTON 25W Streetlight, Signal Black, T1 Optic, 4000K, 4,063lm
<b>LC6105-T2</b>	KINGSTON 25W Streetlight, Signal Black, T2 Optic, 4000K, 4,063lm
<b>LC6105-T3</b>	KINGSTON 25W Streetlight, Signal Black, T3 Optic, 4000K, 4,063lm
<b>LC6105-T4</b>	KINGSTON 25W Streetlight, Signal Black, T4 Optic, 4000K, 4,166lm