

# KINGSTON 300W

## Architectural Streetlight

**Classic Series**

Proven. Quality. Customisable

The KINGSTON 300W Roadway Lighting Series is powered by the Crystal OpticLED platform, and features innovative thermal management design, offering exceptional performance and value. This versatile luminaire can be tailored to the unique specifications of each project. Tool Free Opening Clip, allowing for Top Opening Easy Maintenance. The KINGSTON Streetlight Series is fitted with knife switch safety feature to cut off power supply when the device is open.



### SPECIFICATIONS

#### Material Specifications

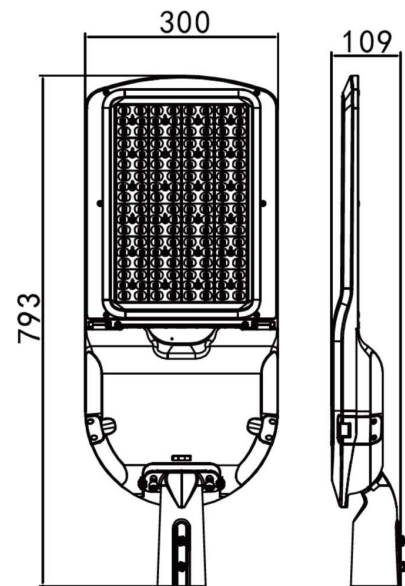
<b>Housing</b>	High Pressure Die-Cast Aluminium Alloy, Clear Tempered Glass
<b>Finish</b>	Polyester Powder Coat, Signal Black
<b>Dimensions</b>	793mm(L) x 300mm(W) x 109mm(H)
<b>Spigot Size</b>	60mm
<b>Ingress Protection</b>	IP66
<b>Impact Rating</b>	IK10
<b>Weight</b>	9.2kg
<b>Mounting Height</b>	10m - 12m
<b>Warranty</b>	5 Year Replacement

#### Electrical Specifications

<b>Power Supply</b>	320W Integrated Inventronics Driver
<b>Input Voltage</b>	240VAC, 50/60Hz
<b>Options</b>	Dimming System/ PE Cell/ NEMA Socket
<b>Operating Temperature (Ta)</b>	-20°C to +55°C

#### Optic Specifications

<b>Light Source</b>	Phillips LED SMD 5050 x 192
<b>Delivered Lumens</b>	42,600lm - 46,257lm
<b>CRI</b>	79Ra
<b>Reported L70 (Hours)</b>	> 54,000 Hrs
<b>Calculated L90 (Hours)</b>	49,000 Hrs
<b>Calculated L70 (Hours)</b>	79,000 Hrs



### VARIATIONS

<b>LC6180-T2</b>	KINGSTON 300W Streetlight, Signal Black, T2, 4000K, 42,600lm
<b>LC6180D-T2</b>	KINGSTON 300W Streetlight, Signal Black, T2, DALI, 4000K, 42,600lm
<b>LC6180-T3</b>	KINGSTON 300W Streetlight, Signal Black, T3, 4000K, 43,107lm
<b>LC6180D-T3</b>	KINGSTON 300W Streetlight, Signal Black, T3, DALI, 4000K, 43,107lm
<b>LC6180-T4</b>	KINGSTON 300W Streetlight, Signal Black, T4, 4000K, 46,257lm
<b>LC6180D-T4</b>	KINGSTON 300W Streetlight, Signal Black, T4, DALI, 4000K, 46,257lm