

# KINGSTON 50W

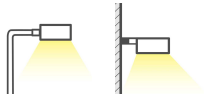
## Architectural Streetlight

**Classic Series**

Proven. Quality. Customisable

The KINGSTON 50W Roadway Lighting Series is powered by the Crystal OpticLED platform, and features innovative thermal management design, offering exceptional performance and value. This versatile luminaire can be tailored to the unique specifications of each project. Tool Free Opening Clip, allowing for Top Opening Easy Maintenance. The KINGSTON Streetlight Series is fitted with knife switch safety feature to cut off power supply when the device is open.

Verified by Techlume Australia on 06/04/2023



**IP66**



### SPECIFICATIONS

#### Material Specifications

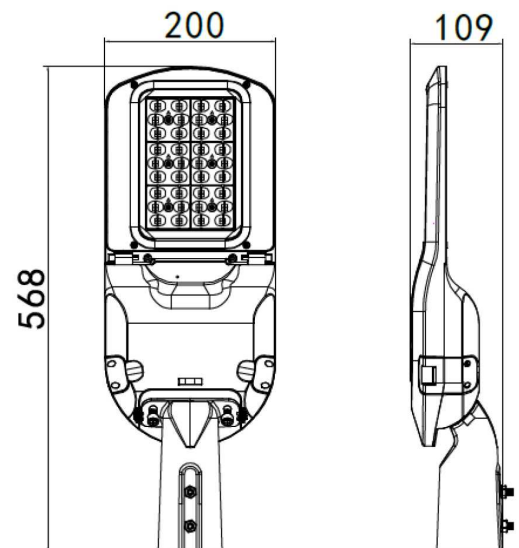
|                           |  |
|---------------------------|--|
| <b>Housing</b>            | High Pressure Die-Cast Aluminium Alloy, Clear Tempered Glass |
| <b>Finish</b>             | Polyester Powder Coat, Signal Black                          |
| <b>Dimensions</b>         | 568mm(L) x 200mm(W) x 109mm(H)                               |
| <b>Spigot Size</b>        | 60mm   |
| <b>Ingress Protection</b> | IP66   |
| <b>Impact Rating</b>      | IK10   |
| <b>Weight</b>             | 4.0kg  |
| <b>Mounting Height</b>    | 4m - 6m  |
| <b>Warranty</b>           | 5 Year Replacement   |

#### Electrical Specifications

|                                   |   |
|-----------------------------------|---|
| <b>Power Supply</b>               | Integrated Inventronics Driver                |
| <b>System Watts</b>               | 48.4W - 50.1W                                 |
| <b>Input Voltage</b>              | 240VAC, 50/60Hz                               |
| <b>Options</b>                    | Dimming System / Motion Sensor / NEMA PE Cell |
| <b>Operating Temperature (Ta)</b> | -20° to + 55°C                                |

#### Optic Specifications

|                                      |  |
|--------------------------------------|--|
| <b>Light Source</b>                  | LED SMD 5050                               |
| <b>Delivered Lumens</b>              | 7,691lm - 7,981lm                          |
| <b>Efficacy</b>                      | Up to 161lm/W                              |
| <b>CRI</b>                           | Ra 80                                      |
| <b>Correlated Colour Temperature</b> | 4000K (3000K available for project orders) |
| <b>Rated Lifetime (L70B20)</b>       | 60,000 Hrs                                 |



### VARIATIONS

|                   |  |
|-------------------|--|
| <b>LC6115-T1</b>  | KINGSTON 50W Streetlight, Signal Black, T1, 4000K  |
| <b>LC6115-T2</b>  | KINGSTON 50W Streetlight, Signal Black, T2, 4000K  |
| <b>LC6115-T3</b>  | KINGSTON 50W Streetlight, Signal Black, T3, 4000K  |
| <b>LC6115-T3A</b> | KINGSTON 50W Streetlight, Signal Black, T3A, 4000K |
| <b>LC6115-T4</b>  | KINGSTON 50W Streetlight, Signal Black, T4, 4000K  |
| <b>LC6115-T4M</b> | KINGSTON 50W Streetlight, Signal Black, T4M, 4000K |
| <b>LC6114-T2</b>  | KINGSTON 50W Streetlight, Signal Black, T2, 3000K  |

|                   |  |
|-------------------|--|
| <b>LC6114-T3</b>  | KINGSTON 50W Streetlight, Signal Black, T3, 3000K  |
| <b>LC6114-T3A</b> | KINGSTON 50W Streetlight, Signal Black, T3A, 3000K |
| <b>LC6114-T4</b>  | KINGSTON 50W Streetlight, Signal Black, T4, 3000K  |
| <b>LC6114-T4M</b> | KINGSTON 50W Streetlight, Signal Black, T4M, 3000K |
| <b>LC6115G-T3</b> | KINGSTON 50W Streetlight, Grey, T3, 4000K          |

## Classic Series

Proven. Quality. Customisable