

**Classic Series**

Proven. Quality. Customisable

# KINGSTON 50W

## Streetlight PE Cell

The Kingston 50W Streetlight is an outdoor lighting solution that offers both simplicity and functionality. With a weatherproof rating of IP66, this product is built to withstand harsh weather conditions. The high-pressure die-cast aluminium alloy and clear tempered glass materials ensure durability and longevity, while the sleek and modern signal black colour gives it a sophisticated look. With an inbuilt PE cell, the KINGSTON is an ideal choice for anyone seeking a reliable, practical and stylish outdoor lighting solution.

Verified by Techlume Australia on 13/04/2023



### SPECIFICATIONS

#### Material Specifications

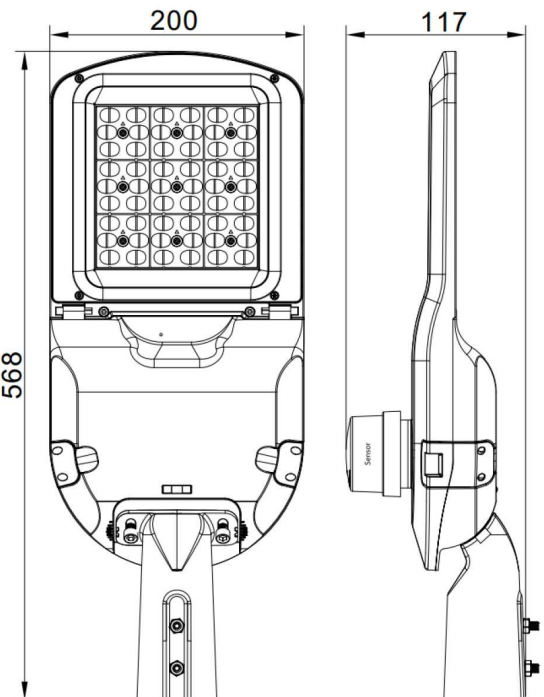
<b>Housing</b>	High Pressure Die-Cast Aluminium Alloy, Clear Tempered Glass
<b>Finish</b>	Polyester Powder Coat, Signal Black
<b>Dimensions</b>	568mm(L) x 200mm(W) x 109mm(H)
<b>Spigot Size</b>	60mm (Dia)
<b>Ingress Protection</b>	IP66
<b>Impact Rating</b>	IK10
<b>Weight</b>	4kg
<b>Mounting Height</b>	4 - 6m
<b>Warranty</b>	5 Year Replacement

#### Electrical Specifications

<b>Power Supply</b>	Integrated INVENTRONICS Driver
<b>Input Voltage</b>	240VAC, 50/60Hz
<b>Operating Temperature (Ta)</b>	-20° to + 55°C

#### Optic Specifications

<b>Light Source</b>	LED SMD 5050
<b>Delivered Lumens</b>	7,691lm
<b>CRI</b>	79Ra
<b>Reported L70 (Hours)</b>	> 54,000 Hrs
<b>Calculated L70 (Hours)</b>	79,000 Hrs



### VARIATIONS

<b>LC6116-T3-PE</b>	Kingston 50W Streetlight with PE Cell, Signal Black, T3, 4000K, 7,691lm
<b>LC6116-T4-PE</b>	Kingston 50W Streetlight with PE Cell, Signal Black, T4, 4000K, 7,691lm
<b>LC6116D-T4-PE</b>	Kingston 50W Streetlight with PE Cell, Signal Black, T4, DALI, 4000K, 7,691lm