

Classic Series

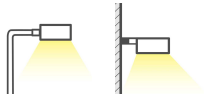
Proven. Quality. Customisable

KINGSTON 75W

Streetlight w. PE Cell

The KINGSTON 75W Roadway Lighting Series is powered by the Crystal OpticLED platform, and features an innovative thermal management design, offering exceptional performance and value. This versatile luminaire can be tailored to the unique specifications of each project. Tool-Free Opening Clip, allowing for Top Opening Easy Maintenance. The KINGSTON Streetlight Series is fitted with a knife switch safety feature to cut off the power supply when the device is open.

Verified by Techlume Australia on 11/04/2023



IP66



SPECIFICATIONS

Material Specifications

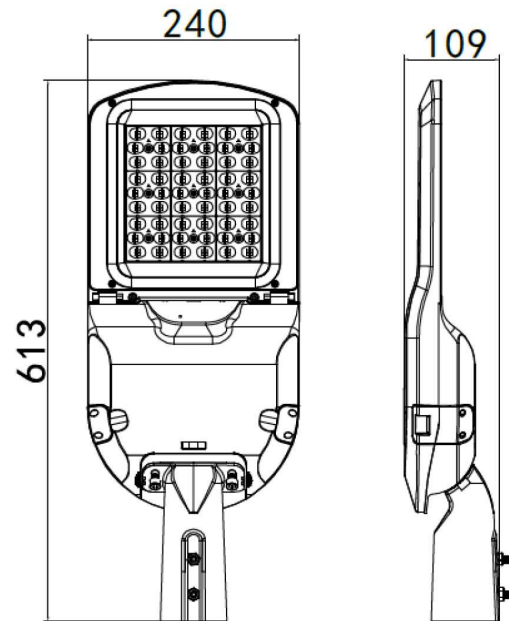
Housing	High Pressure Die-Cast Aluminium Alloy, Clear Tempered Glass
Finish	Polyester Powder Coat, Signal Black
Dimensions	613mm(L) x 240mm(W) x 109mm(H)
Spigot Size	60mm
Ingress Protection	IP66
Impact Rating	IK10
Weight	5.7kg
Mounting Height	6m - 8m
Warranty	5 Year Replacement

Electrical Specifications

Power Supply	Integrated Inventronics Driver
System Watts	76.6W - 76.9W
Input Voltage	240VAC, 50/60Hz
Options	Dimming System/ PE Cell/ NEMA Socket
Operating Temperature (Ta)	-20° to + 55°C

Optic Specifications

Light Source	LED SMD 5050
Delivered Lumens	11,272lm - 11,314lm
Efficacy	147lm/W
CRI	79Ra
Reported L70 (Hours)	>54,000 Hrs
Calculated L90 (Hours)	49,000 Hrs
Calculated L70 (Hours)	79,000 Hrs



VARIATIONS

LC6130-T2-PE	KINGSTON 75W Streetlight w. PE Cell, Signal Black, T2, 4000K, 11,250lm
LC6130-T3-PE	KINGSTON 75W Streetlight w. PE Cell, Signal Black, T3, 4000K, 11,314lm
LC6130-T4-PE	KINGSTON 75W Streetlight w. PE Cell, Signal Black, T4, 4000K, 11,272lm
LC6129-T4-PE	KINGSTON 75W Streetlight w. PE Cell, Signal Black, T3, 3000K, 11,114lm

Classic Series

Proven. Quality. Customisable