

LAWSON MK-II 100W Canopy Light

Classic Series

Proven. Quality. Customisable

The LAWSON MK-II 100W Canopy Light is an ideal replacement for obsolete metal halide canopy lights, saving power and reducing maintenance costs. These attractive and functional LED canopy lights will be perfect for your needs providing rugged fitting with exceptional brightness. The LAWSON surface mount LED canopy light is suitable for outdoor applications such as loading docks, petrol stations, food processing plants and common areas. Featuring an IP65 and IK10 rating, they are durable and built to last.

Verified by Techlume Australia on 18/04/2023



SPECIFICATIONS

Material Specifications

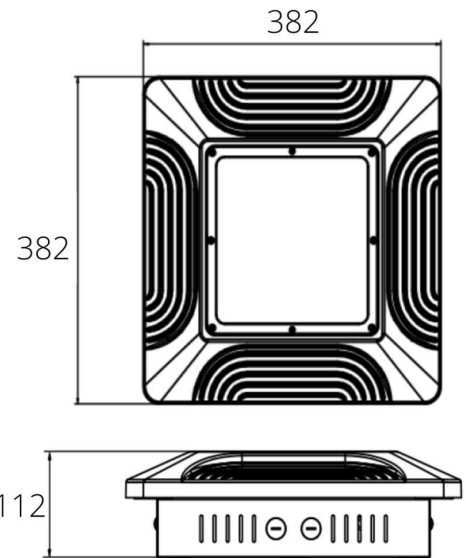
Housing	6063 Die Cast Aluminium
Finish	Anti-Corrosive Powder Coat
Dimensions	382mm x 382mm x 112mm(D)
Mounting	Surface Mount (Recess frame optional)
Impact Rating	IK10
Ingress Protection	IP65
Weight	4.6kg
Warranty	5 Years

Electrical Specifications

Power Supply	Meanwell Driver, Non-Dim
System Watts	108.7W
Operating Temperature (Ta)	-25°C to +50°C
Connection Method	Hard Wired
Input Voltage	240V

Optic Specifications

Light Source	100W Lumileds LED
Delivered Lumens	17,797lm
Efficacy	164lm/W
CRI	Ra 81
Beam Angle	120°
Reported L70 (Hours)	> 54,000 Hrs



VARIATIONS

LC2850	LAWSON MK-II 100W Canopy Light, White, 120°, Non-Dim, 4000K, 17,797lm
LC2850D	LAWSON MK-II 100W Canopy Light, White, 120°, DALI Dim, 4000K, 17,797lm
LC2851	LAWSON MK-II 100W Canopy Light, White, 120°, Non-Dim, 3000K, 17,200lm