

Classic Series

Proven. Quality. Customisable

LENNOX 200W

Asymmetric Floodlight

The LENNOX 200W Linear Lens IP66 Floodlight is the premium series floodlight for professional market. Die-Cast Aluminium for enhanced Dissipation. IP66 Waterproof. Asymmetric Beam Angle, for 100% Forward Throw Light, with no back-light, reducing light pollution and glare. Enhanced corrosion resistance, using AkzoNobel Powder Coating.

Designed for Industrial Environments including Farms, Swimming Centres, Coastal areas.

Verified by Techlume Australia on 10/10/2023



SPECIFICATIONS

Material Specifications

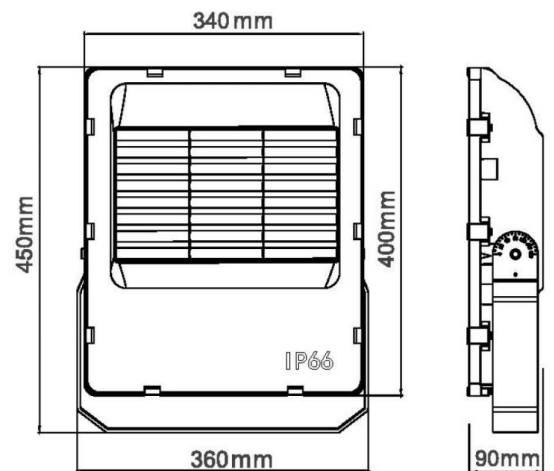
Material	Die-Cast Aluminium Design
Finish	AkzoNobel Powder Coat
Ingress Protection	IP66
Impact Rating	IK08
Dimensions	450 x 360 x 90mm
Warranty	7 Year Replacement

Electrical Specifications

Power Supply	Meanwell Non-Dimmable
System Watts	215.7W
Input Voltage	240V; 50/60Hz
Options	DALI, 1-10V available

Optic Specifications

Light Source	Lumileds Luxeon SMD 5050
Delivered Lumens	28,876lm (4000K)
Efficacy	133.9lm/W
CRI	Ra 73
Colour Deviation	SDCM < 3
Calculated L70 (Hours)	154,000 Hrs
Calculated L80 (Hours)	97,000 Hrs
Calculated L90 (Hours)	46,000 Hrs



VARIATIONS

LC2540	LENNOX 200W Floodlight, Black, 90x40°, Non-Dim, 3000K
LC2542	LENNOX 200W Floodlight, Black, 90x40°, Non-Dim, 4000K, 28,876lm
LC2544	LENNOX 200W Floodlight, Black, 90x40°, Non-Dim, 5700K