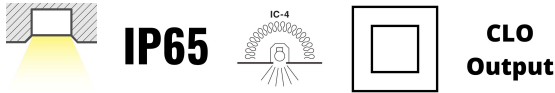


LIQUID 3

Commercial Downlight 90mm

The LIQUID 90mm Downlight is used in commercial applications where style and class is important. Used in schools, hospitals, corridors and IP65 Rated for wet areas. Direct output with a 60° beam angle. With a customisable output, it is available with an output of 5W-9W.



SPECIFICATIONS

Material Specifications

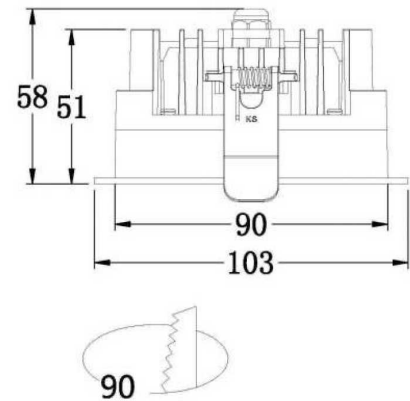
Material	Aluminium Diecast Housing / Clear Diffuser
Finish	Smooth Powder Coat White Trim
Dimensions	103mm (Face Dia) x 58mm (H)
Cutout	90mm
Ingress Protection	IP65
Warranty	5 Year Replacement

Electrical Specifications

Power Supply	Tridonic TRIAC
Connection Method	Australian Flex & Plug
Options	DALI, CLO Programmed Output
Operating Temperature (Ta)	-20°C to +40°C

Optic Specifications

Light Source	Philips COB LED
Delivered Lumens	375lm - 675lm NFC Programmable
CRI	90+Ra
Beam Angle	60°
Reported L70 (Hours)	> 50,000 Hrs



VARIATIONS

DL03-3-27K	LIQUID 3, 5-9W Downlight, White, Phase Dim, 2700K
DL03-3-3K	LIQUID 3, 5-9W Downlight, White, Phase Dim, 3000K
DL03-3-35K	LIQUID 3, 5-9W Downlight, White, Phase Dim, 3500K
DL03-3-4K	LIQUID 3, 5-9W Downlight, White, Phase Dim, 4000K
DL03-3-5K	LIQUID 3, 5-9W Downlight, White, Phase Dim, 5000K