

# LITHO 9W

## Round Surface Can Light

**Classic Series**

Proven. Quality. Customisable

The Litho Can Light Range is loved by all specifiers. Compact design, easy to install - it makes a great statement! Available in white, black and silver, and also as an exterior IP rated option. Include these in your next project, and be amazed by the effect of these great LED surface mounted Can Lights. A quality downlight, perfect for hard to cut surfaces like concrete ceilings.

Verified by Techlume Australia on 25/08/2023



### SPECIFICATIONS

#### Material Specifications

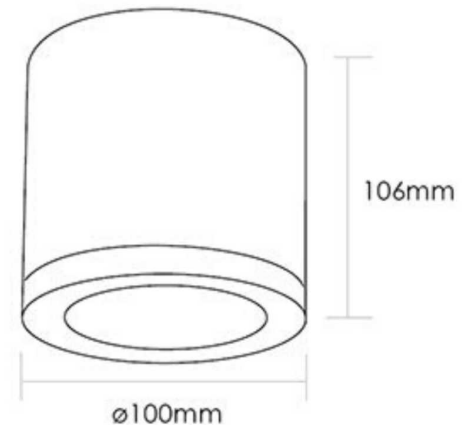
<b>Material</b>	Die-Cast Aluminium
<b>Colour</b>	White/ Black/ Silver
<b>Dimensions</b>	100mm (Dia) x 106mm (H)
<b>Impact Rating</b>	IK07
<b>Ingress Protection</b>	IP20
<b>Warranty</b>	5 Year Replacement

#### Electrical Specifications

<b>Power Supply</b>	Integral Driver, 500mA, Phase Dimmable
<b>System Watts</b>	11.0W
<b>Connection Method</b>	Terminal Block in base
<b>Input Voltage</b>	240V

#### Optic Specifications

<b>Light Source</b>	ZIGEN 9W LED
<b>Delivered Lumens</b>	903.7lm
<b>Efficacy</b>	82.4lm/W
<b>CRI</b>	93Ra
<b>R9 Value</b>	67
<b>Colour Deviation</b>	SDCM ≤ 3
<b>Reported L70 (Hours)</b>	> 54,000 Hrs



### VARIATIONS

<b>LC4106</b>	LITHO 9W Surface Mount Can Light, Black, 55°, Phase Dim, 3000K, 904lm
---------------	---