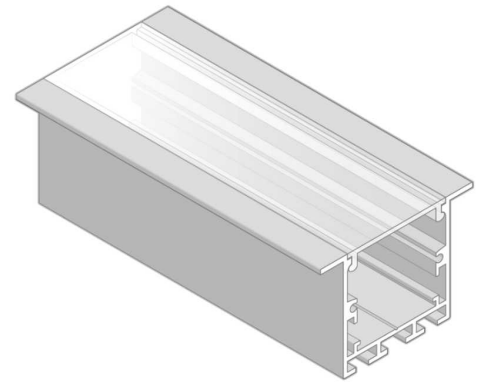


Classic Series

Proven. Quality. Customisable

LYNE 3535 Recessed Aluminium Profile

The LYNE 3535 Recessed Profile is a recess mounted extrusion with sufficient depth to reduce light hot spotting. Available in 2m lengths, but can be cut to length before supply. Channels on the sides of the profile allow you to clip the profile into metal clips. Plastic End Caps come in pairs. One having a hole for the wires to pass through.



SPECIFICATIONS

Material Specifications

Material	Anodised Aluminium
Ingress Protection	IP20
Application	Joinery, Feature Lighting, Task Lighting
Dimensions	35mm(W) x 35mm(D)
Accessories	End Caps & Mounting Clips
Warranty	5 Year Replacement
Optics	PMMA Plastic Diffuser
Mounting	30°/ 60° Angle
Light Source	INFINTY 14W LED Strip recommended

VARIATIONS

LC9172	LYNE 3535 Recess Profile with Diffuser, Aluminium
LC9172B	LYNE 3535 Recess Profile with Diffuser, Black
LC9172W	LYNE 3535 Recess Profile with Diffuser, White

