

dynamic series

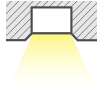
Efficient. Cutting Edge. Reliable

MICHIGAN 15W

Recessed Downlight

The MICHIGAN 15W downlight is dimmable, constructed with a thermal heatsink included to ensure the downlight disperses any heat keeping it cool to touch. Used by builders, developers and a favourite with electricians. The MICHIGAN Downlight is a cost effective wide beam downlight built to withstand years of use. Perfect for all purpose use in any home or commercial, including retrofits.

Verified by Techlume Australia on 02/08/2023



IP54



SPECIFICATIONS

Material Specifications

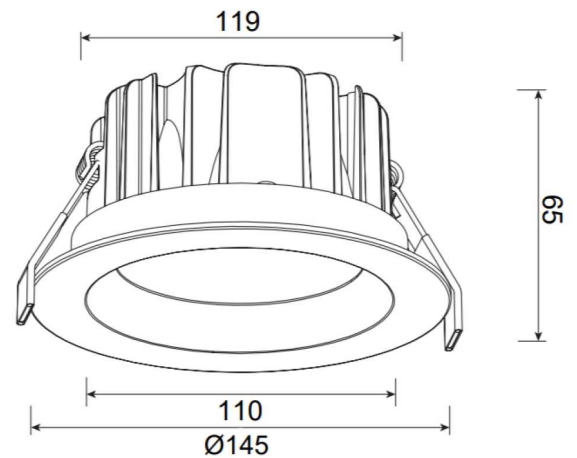
Material	High Grade Cast Aluminum, PC Reflector + Tempered Glass
Colour	Matt White (RAL9016) / Matt Black (RAL9005)
Dimensions	145mm Face Dia x 65mm (H)
Cutout	125-130mm (Dia)
Ingress Protection	IP54 (From Below)
Impact Rating	IK06
Warranty	5 Year Replacement

Electrical Specifications

Power Supply	Remote, TRIAC Dimmable
Connection Method	Australian 2-Pin Plug + 0.6m lead
System Watts	13.9W
Input Voltage	240V, 50/60Hz
Operating Temperature (Ta)	-20°C to +45°C

Optic Specifications

Light Source	Bridgelux COB LED
Delivered Lumens	1,613lm (3000K)
Delivered Lumens	1,721lm (4000K)
Efficacy	Up to 123.8lm/W
CRI	Ra >84
Beam Angle	60°
Reported L70 (Hours)	50,000 Hrs



VARIATIONS

LC3558W	MICHIGAN 15W Downlight, White, 60°, Phase Dim, 3000K, 1,613lm
LC3558B	MICHIGAN 15W Downlight, Black, 60°, Phase Dim, 3000K, 1,613lm
LC3559W	MICHIGAN 15W Downlight, White, 60°, Phase Dim, 4000K, 1,721lm
LC3559B	MICHIGAN 15W Downlight, Black, 60°, Phase Dim, 4000K, 1,721lm