

# MODIS-L 35W

## Recessed Can Light

The MODIS series is a modular lighting series with an exquisite design and UGR19 anti-glare feature. It supports six installation methods, including recessed, canopy ceiling, surface-mounted, pendant, and track options. With four size choices (Ø55mm, Ø65mm, Ø85mm, Ø100mm), it uses a Bridgelux COB light source, achieving 120lm/W efficiency. It offers interchangeable CCT and wattage (except Ø55mm), multiple reflector angles, and flicker-free drivers. Ideal for commercial and residential spaces, such as hotels, offices, museums, and homes.



### SPECIFICATIONS

#### Material Specifications

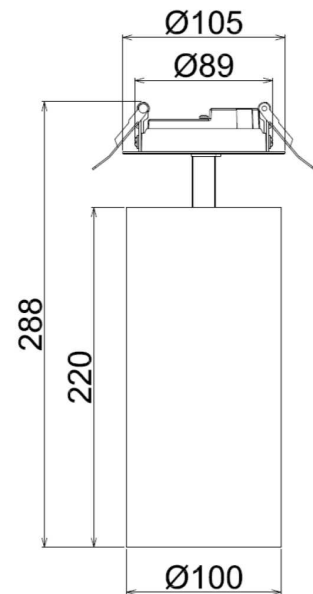
<b>Material</b>	Aluminium & Transparent Tempered Glass
<b>Mounting</b>	Recessed
<b>Colour</b>	Black RAL9005/ White RAL9016
<b>Dimensions</b>	100mm (Dia) x 288mm (H)
<b>Cutout</b>	89mm
<b>Ingress Protection</b>	IP20
<b>Warranty</b>	5 Year Replacement

#### Electrical Specifications

<b>Power Supply</b>	Integral Driver, 500mA, Phase Dimmable
<b>Connection Method</b>	Terminal Block in base
<b>Input Voltage</b>	240V

#### Optic Specifications

<b>Light Source</b>	Tridonic 35W LED
<b>Delivered Lumens</b>	3050-4250lm
<b>CRI</b>	Ra >90
<b>Colour Deviation</b>	SDCM ≤ 5
<b>Reported L70 (Hours)</b>	50,000 Hrs



### VARIATIONS

<b>LC1479B</b>	MODIS-L 35W Recessed Can Light, Black, 36°, Phase Dim, Tri-Colour, 3050-4250lm
<b>LC1479W</b>	MODIS-L 35W Recessed Can Light, White, 36°, Phase Dim, Tri-Colour, 3050-4250lm