

NEO-G Mini 5W

IP68 Ground Light

The NEO-G Mini 5W LED Ground Lights are marine grade quality, covered with a five year warranty. Capable of being completely submerged, these lights are great for pools, driveways, ponds and decks. Robust LED Outdoor Lights. Can be installed in concrete or gravel. 8mm tempered glass lens supports 2000kg drive over, manufactured with high quality anodised aluminium outer casing. These LED recessed fittings have a stainless steel (316L) front face protecting them from water including salt water and general corrosion. Driver sold separately. This product is not dimmable. Now featuring a honeycomb lens for reduced glare.



SPECIFICATIONS

Material Specifications

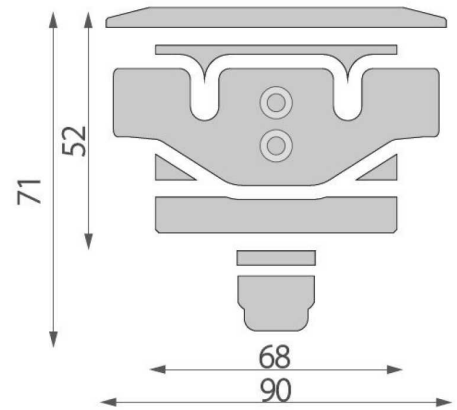
Housing	Anodised aluminium with tempered glass and 316 stainless steel cover
Mounting	Recessed In-ground (installation tube included)
Dimensions	90mm (Dia) x 71mm (H)
Cutout	68mm Dia (82mm with blackout)
Ingress Protection	IP68
Impact Rating	IK10
Warranty	5 Year Replacement

Electrical Specifications

Power Supply	IP67 Remote Driver, Sold Separately
Max Distance From Power Supply	10 metres recommended
Input Voltage	24V DC constant voltage
Connection Method	2-core double-insulated cable
Dimming	Non-Dim

Optic Specifications

Light Source	5W CREE LED
Delivered Lumens	380lm
Beam Angle	40° & 60° Lens Options
CRI	> 90Ra
Reported L70 (Hours)	> 54,000 Hrs



VARIATIONS

LC5090-40	NEO-G Mini 5W Ground Light, 40°, 3000K
LC5090-60	NEO-G Mini 5W Ground Light, 60°, 3000K