

NEO RGBW Downlight Module

Classic Series

Proven. Quality. Customisable

The NEO RGBW Downlight Module is a commercial-grade DMX RGBW LED downlight designed for seamless integration into various downlight trim sizes. Featuring advanced DMX control, it delivers vivid, customisable RGBW lighting, perfect for commercial and architectural applications. With high-efficiency LED technology, it ensures bright illumination with energy savings and long-lasting performance. Its modular design allows easy installation, making it an ideal solution for dynamic lighting environments. Enhance any space with versatile, high-quality lighting effects tailored to your needs.



SPECIFICATIONS

Material Specifications

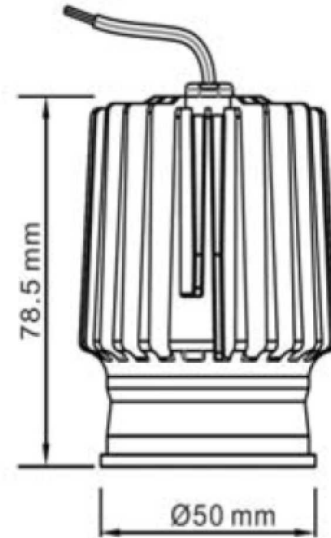
Material	Aluminium, with Tempered Glass Cover
Dimensions	78.5mm (H) x 50mm (Dia)
Mounting	Suits any NEO Mount Rings
Ingress Protection	IP44
Warranty	3 Year Replacement

Electrical Specifications

Power Supply	Remote
LED Wattage	R = 6.2W, G = 8.4W, B = 8.4W, W = 7.4W
Input Voltage	240V
Connection Method	Australian Approved 2-Pin Plug & 1.0m Lead

Optic Specifications

Light Source	Epistar LED
Correlated Colour Temperature	RGBW. W = 3000K
CRI	80+
Nominal Lumens	960lm (3000K)
Beam Angle	70°
Reported L70 (Hours)	> 50,000 Hrs
Calculated L70 (Hours)	150,000 Hrs



VARIATIONS

LC5205	NEO RGBW Downlight Module, 240V, 70°, W = 3000K, 960lm
---------------	--