

# PONTIAC 4W

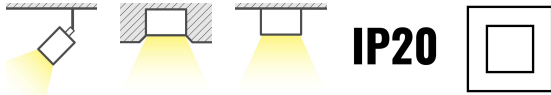
## Retractable Downlight

**Classic Series**

Proven. Quality. Customisable

PONTIAC 4W Retractable Downlight offers great flexibility. Its miniature size makes this a minimalist lighting, while being functional and versatile. Flexible for lighting schemes in residential or retail spaces. Direct illumination with a 30° optic reflector.

Power supply is small enough to fit through hole cutout.



### SPECIFICATIONS

#### Material Specifications

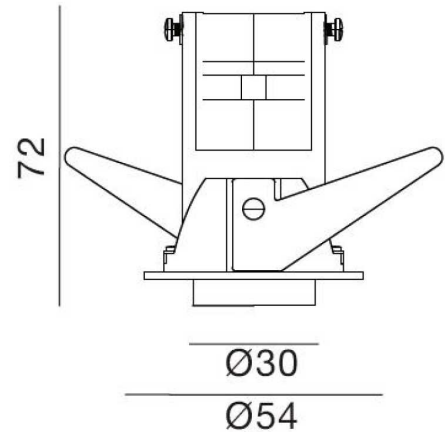
<b>Housing</b>	Aluminium
<b>Finish</b>	Powder Coat
<b>Dimensions</b>	54mm Face Dia
<b>Cutout</b>	46mm (Dia)
<b>Adjustment</b>	350° Rotatable, 90° Tiltable
<b>Ingress Protection</b>	IP20
<b>Warranty</b>	5 Year Replacement

#### Electrical Specifications

<b>Power Supply</b>	6W LTECH power supply, Phase Dim
<b>Input Voltage</b>	240V
<b>Connection Method</b>	Australian Approved 2-Pin Plug & 1.0m Lead

#### Optic Specifications

<b>Light Source</b>	4W SMD LED
<b>Delivered Lumens</b>	420lm
<b>Beam Angle</b>	30°
<b>CRI</b>	90Ra
<b>Reported L70 (Hours)</b>	> 54,000 Hrs



### VARIATIONS

<b>LC4680</b>	PONTIAC 4W Retractable Downlight, White, Phase Dim, 3000K, 414lm
<b>LC4681</b>	PONTIAC 4W Retractable Downlight, White, Phase Dim, 4000K, 421lm
<b>LC4682</b>	PONTIAC 4W Retractable Downlight, Black, Phase Dim, 3000K, 419lm
<b>LC4683</b>	PONTIAC 4W Retractable Downlight, Black, Phase Dim, 4000K, 434lm