

Classic Series

Proven. Quality. Customisable

PONTIAC 9W

Retractable Downlight

The Pontiac 9W Retractable Downlight is a versatile and flexible lighting option that provides a solid all-around general light source. Its medium size makes it suitable for both residential and retail spaces, and its 36-degree optic reflector ensures direct illumination. This makes it an ideal choice for functional and reliable lighting solutions.



SPECIFICATIONS

Material Specifications

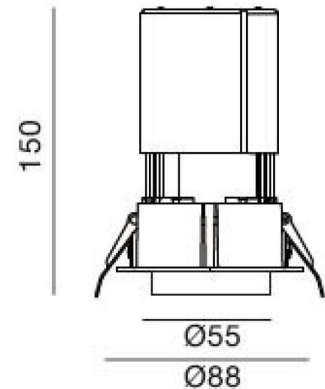
Housing	Aluminium
Finish	Powder Coat
Cutout	80mm (Dia)
Adjustment	350° Rotatable, 90° Tiltable
Ingress Protection	IP20
Warranty	5 Year Replacement

Electrical Specifications

Power Supply	12W AcTec Dimtronic Constant Current Driver, 260mA, Phase Dim
Input Voltage	240V
Connection Method	Australian Approved 2-Pin Plug & 1.0m Lead

Optic Specifications

Light Source	9W SMD LED
CRI	> 90Ra
Colour Deviation	SDCM ≤ 3
Reported L70 (Hours)	> 54,000 Hrs



VARIATIONS

LC4685	PONTIAC 9W Retractable Downlight, White, 36°, Phase Dim, 3000K, 782lm
LC4686	PONTIAC 9W Retractable Downlight, White, 36°, Phase Dim, 4000K, 860lm
LC4687	PONTIAC 9W Retractable Downlight, Black, 36°, Phase Dim, 3000K, 782lm
LC4688	PONTIAC 9W Retractable Downlight, Black, 36°, Phase Dim, 4000K, 860lm