

dynamic series

Efficient. Cutting Edge. Reliable

RINGO 12W

Round Surface Can Light

The RINGO 12W surface-mounted ceiling light is a great choice for a high-quality and durable lighting solution. Its high-lumen SMD LED and PMMA diffuser provide even and bright lighting, while its die-cast aluminium construction ensures longevity and durability. With three colour options to choose from - white, black, or silver - it can easily be matched with existing décor. Its IP54 rating makes it waterproof and ideal for damp locations.



SPECIFICATIONS

Material Specifications

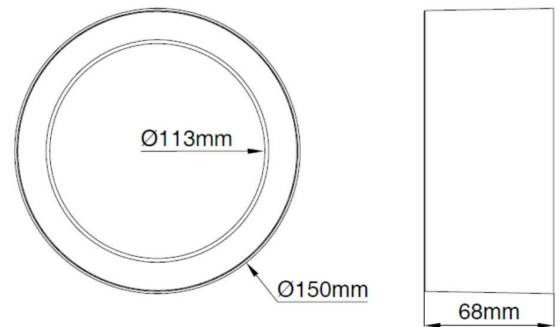
Material	Die-Cast Aluminium
Colour	White/ Black/ Silver
Dimensions	150mm (Dia) x 68mm (H)
Impact Rating	IK07
Ingress Protection	IP54
Warranty	5 Year Replacement

Electrical Specifications

Power Supply	Integral Driver, 150mA, Phase Dim
Connection Method	Terminal Block in base
Operating Temperature (Ta)	-20°C to 45°C
Input Voltage	240V

Optic Specifications

Light Source	Epistar 12W LED
CRI	80Ra
Colour Deviation	SDCM ≤ 3
Reported L70 (Hours)	> 45,000 Hrs



VARIATIONS

LC3520	RINGO 12W Surface Mount Can Light, White, 100°, Phase Dim, 3000K, 942lm
LC3521	RINGO 12W Surface Mount Can Light, White, 100°, Phase Dim, 4000K, 1084lm
LC3522	RINGO 12W Surface Mount Can Light, Black, 100°, Phase Dim, 3000K, 942lm
LC3523	RINGO 12W Surface Mount Can Light, Black, 100°, Phase Dim, 4000K, 1084lm