

**dynamic series**

Efficient. Cutting Edge. Reliable

# ROSCO 10W

## Gimbal Pinhole Downlight

The ROSCO 10W Gimbal Pinhole Downlight is constructed with a sleek design for a high impact light distribution, adopting a high lumen COB LED and PMMA diffuser with even light output. With a round 84mm cutout, it is suitable for a range of different commercial applications including hotels, museums and art galleries. Beautiful light with minimal glare - a favourite with architects and interior designers.



### SPECIFICATIONS

#### Material Specifications

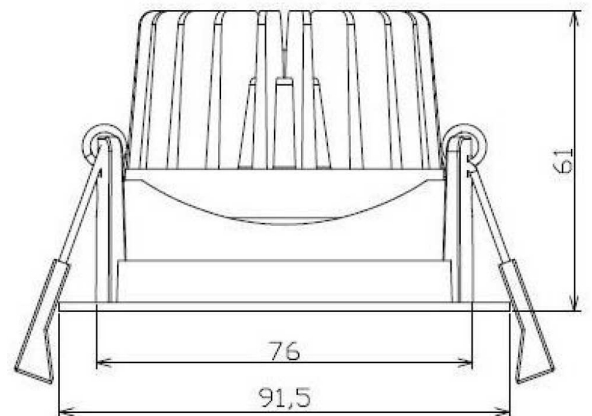
<b>Material</b>	High Grade Aluminum + Reflector
<b>Colour</b>	Matt White
<b>Dimensions</b>	91.5mm Face Dia x 61mm (H)
<b>Cutout</b>	84mm (Dia)
<b>Adjustment</b>	30° Gimbal
<b>Ingress Protection</b>	IP44
<b>Warranty</b>	5 Year Replacement

#### Electrical Specifications

<b>Power Supply</b>	Remote Driver, Phase Dimmable, 230mA
<b>Dimming</b>	Range 8% - 100%
<b>Thermal Testing</b>	Compliant with IC-4 Classification
<b>Operating Temperature (Ta)</b>	-20°C to +45°C
<b>Input Voltage</b>	240V, 50Hz
<b>Connection Method</b>	Australian 2-Pin Plug & 1.2m Lead

#### Optic Specifications

<b>Light Source</b>	AC Hongli 10W COB LED
<b>Delivered Lumens</b>	760lm
<b>CRI</b>	80Ra
<b>Beam Angle</b>	36° (Round Pinhole)
<b>Colour Deviation</b>	SDCM <4
<b>Rated Lifetime (L70B20)</b>	50,000 Hrs



### VARIATIONS

<b>LC3510</b>	ROSCO 10W Gimbal Pinhole Downlight, White, 36°, Phase Dim, 3000K
<b>LC3510D</b>	ROSCO 10W Gimbal Pinhole Downlight, White, 36°, DALI, 3000K
<b>LC3511</b>	ROSCO 10W Gimbal Pinhole Downlight, White, 36°, Phase Dim, 4000K
<b>LC3511D</b>	ROSCO 10W Gimbal Pinhole Downlight, White, 36°, DALI, 4000K