

dynamic series

Efficient. Cutting Edge. Reliable

ROSCO 10W

Gimbal Slotted Downlight

The ROSCO 10W Gimbal Slotted Downlight is constructed with a sleek design for a high impact light distribution, adopting a high lumen COB LED and PMMA diffuser with even light output. With a round 84mm cutout, it is suitable for a range of different commercial applications including hotels, museums and art galleries. Beautiful light with minimal glare - a favourite with architects and interior designers.



SPECIFICATIONS

Material Specifications

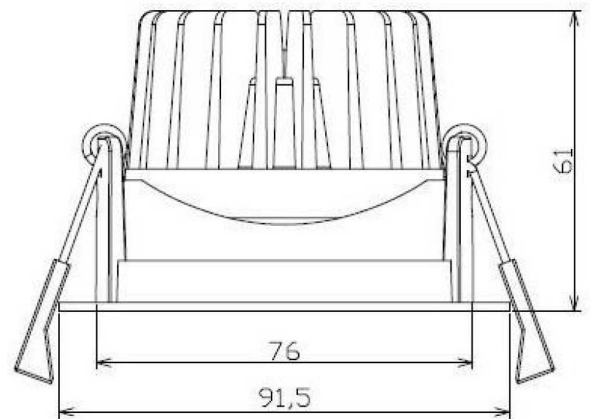
Material	High Grade Aluminum + Reflector
Colour	Matt White
Dimensions	91.5mm Face Dia x 61mm (H)
Cutout	84mm (Dia)
Adjustment	30° Gimbal
Ingress Protection	IP44
Warranty	5 Year Replacement

Electrical Specifications

Power Supply	Remote Driver, Phase Dimmable, 230mA
Dimming	Range 8% - 100%
Thermal Testing	Compliant with IC-4 Classification
Operating Temperature (Ta)	-20°C to +45°C
Input Voltage	240V, 50Hz
Connection Method	Australian 2-Pin Plug & 1.2m Lead

Optic Specifications

Light Source	AC Hongli 10W COB LED
Delivered Lumens	760lm
CRI	80Ra
Beam Angle	36°
Colour Deviation	SDCM <4
Rated Lifetime (L70B20)	50,000 Hrs



VARIATIONS

LC3515	ROSCO 10W Gimbal Slotted Downlight, White, Phase Dim, 3000K
LC3515D	ROSCO 10W Gimbal Slotted Downlight, White, DALI, 3000K
LC3516	ROSCO 10W Gimbal Slotted Downlight, White, Phase Dim, 4000K