

Lifestyle Series

Style. Attitude. Luxury

ROXX 5W

Adjustable Spotlight

The ROXX exterior single adjustable 5W spotlight is made from high-quality aluminium with a high output reflector, that will maximise the light output. Set the mood in your outdoor area and say goodbye to cooking your BBQ in the dark! This low wattage dark grey exterior spotlight can be used as a spotlight as it gives a beam of adjustable directional light. The outdoor spotlight has an IP55 weatherproof rating ideal for both outdoor and indoor use. Designed for use in a number of different outdoor areas such as driveways, front porch, verandah, deck, or backyard. It is also perfect for architectural applications that want to add a clean contemporary feel.



SPECIFICATIONS

Material Specifications

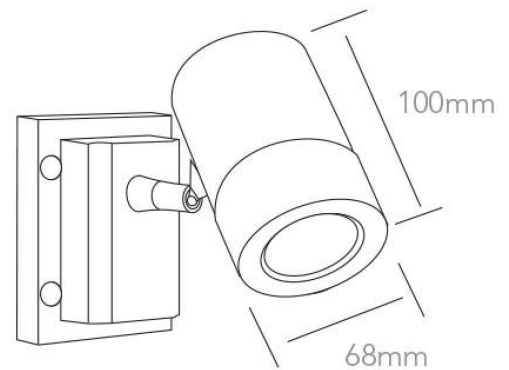
Material	High Grade Aluminium
Colour	Textured Powder Coat
Dimensions	Back Plate: 82mm (W) x 106 mm (H)
Dimensions	Spot: 68mm (Dia) x 100mm (L)
Impact Rating	IK07
Ingress Protection	IP55
Warranty	5 Year Replacement

Electrical Specifications

Power Supply	Integral HEP Driver, Non-Dim, 350mA
Operating Temperature (Ta)	-20°C to +50°C
Input Voltage	240V

Optic Specifications

Light Source	5W Sharp LED
Delivered Lumens	490lm
CRI	82Ra
Beam Angle	30°
Colour Deviation	SDCM ≤ 3
Reported L70 (Hours)	> 45,000 Hrs



VARIATIONS

LC4110 ROXX 5W Exterior Spotlight, Sandy Anthracite, 30°, Non-Dim, 3000K