

TEMPO 10W

Round Surface Can Light

dynamic series

Efficient. Cutting Edge. Reliable

The TEMPO 10W is an architectural can light, designed and built with ultimate flexibility in mind. It has an adjustable lighting direction: 360° horizontal and 23° vertical. The compact design with a built-in driver ensures simplicity of installation. This quality downlight is perfect for hard-to-cut surfaces like concrete ceilings. Quick-connect terminal for easier installation.

Available in black and white.

Verified by Techlume Australia on 30/10/2024



SPECIFICATIONS

Material Specifications

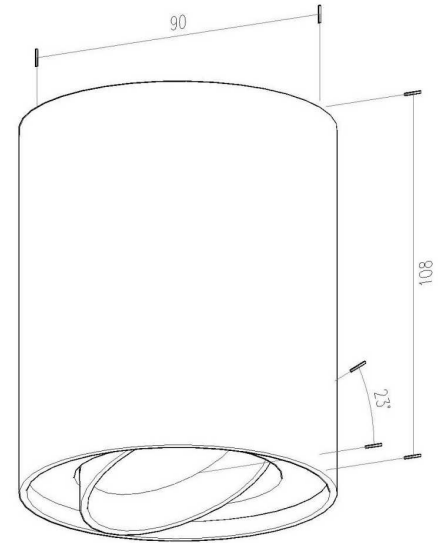
Material	Die-Cast Aluminium
Dimensions	90mm (Dia) x 108mm (H)
Impact Rating	IK06
Ingress Protection	IP20
Warranty	5 Year Replacement

Electrical Specifications

Power Supply	Integral Driver, 230mA, Phase Dim
Connection Method	Terminal Block in Base
Input Voltage	240V
Protection	Short Circuit, Over Voltage, Over Temp

Optic Specifications

Light Source	Citizen CITED 10W COB
Delivered Lumens	830lm
Efficacy	83lm/W
CRI	Ra 93
R9 Value	58
Colour Deviation	SDCM = 2.3
Reported L70 (Hours)	> 54,000 Hrs



VARIATIONS

LC4162	TEMPO 10W Round Can Light, White, 60°, Phase Dim, 3000K, 830lm
LC4167	TEMPO 10W Round Can Light, White, 60°, Phase Dim, 4000K, 830lm
LC4163	TEMPO 10W Round Can Light, Black, 60°, Phase Dim, 3000K, 830lm
LC4166	TEMPO 10W Round Can Light, Black, 60°, Phase Dim, 4000K, 830lm