

dynamic series

Efficient. Cutting Edge. Reliable

# WALTZ 20W

## Rectangle Downlight

The WALTZ 20W rectangle downlight is a gyro design. It adopts a Citizen COB and a high transmittance rate lens to keep high light efficiency. ADC12 Aluminum profile provides excellent thermal dissipation. Modular design with reflector type and lens type options. Rectangle shape with two heads. The luminaire is tilted 25° in all directions (360°), perfectly meeting the demands of different lighting angles. Beam angles available are 36° or 60°.



IP54



### SPECIFICATIONS

#### Material Specifications

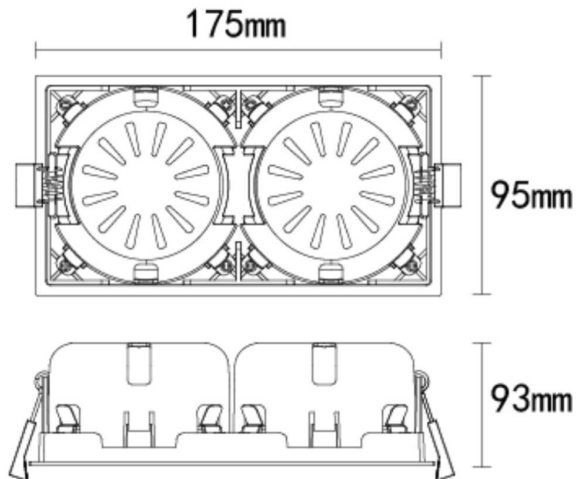
|                           |                                 |
|---------------------------|---------------------------------|
| <b>Material</b>           | Premium Grade Aluminum          |
| <b>Colour</b>             | Powdercoated Matt White / Black |
| <b>Warranty</b>           | 5 Year Replacement              |
| <b>Dimensions</b>         | 175 x 95 x 53mm                 |
| <b>Cutout</b>             | 169mm x 89mm                    |
| <b>Ingress Protection</b> | IP54                            |
| <b>Impact Rating</b>      | IK06                            |

#### Electrical Specifications

|                                   |                                    |
|-----------------------------------|------------------------------------|
| <b>Power Supply</b>               | Remote Driver, 500mA, Flicker Free |
| <b>Operating Temperature (Ta)</b> | -20°C to +45°C                     |
| <b>Input Voltage</b>              | 240V                               |

#### Optic Specifications

|                             |                     |
|-----------------------------|---------------------|
| <b>Light Source</b>         | 2 x Citizen COB LED |
| <b>Delivered Lumens</b>     | 2000lm              |
| <b>CRI</b>                  | >80                 |
| <b>Reported L70 (Hours)</b> | > 54,000 Hrs        |



### VARIATIONS

|                |   |
|----------------|---|
| <b>LC3425W</b> | WALTZ Double 2x10W Rectangle Gimbal Downlight, White, 60°, Phase Dim, 3000K |
| <b>LC3425B</b> | WALTZ Double 2x10W Rectangle Gimbal Downlight, Black, 60°, Phase Dim, 3000K |
| <b>LC3426W</b> | WALTZ Double 2x10W Rectangle Gimbal Downlight, White, 60°, Phase Dim, 4000K |
| <b>LC3426B</b> | WALTZ Double 2x10W Rectangle Gimbal Downlight, Black, 60°, Phase Dim, 4000K |