

dynamic series

Efficient. Cutting Edge. Reliable

WALTZ 30W

Rectangle Downlight

The WALTZ 30W rectangle downlight is a gyro design. It adopted Citizen COB and a high transmittance rate lens to keep high light efficiency. ADC12 Aluminum profile provides excellent thermal dissipation. Modular design with reflector type and lens type options. Rectangle shape with two heads. The luminaire is tilted 25° in all directions (360°), perfectly meet the demands of different lighting angles. Beam angles available are 36° or 60°.



IP54



SPECIFICATIONS

Material Specifications

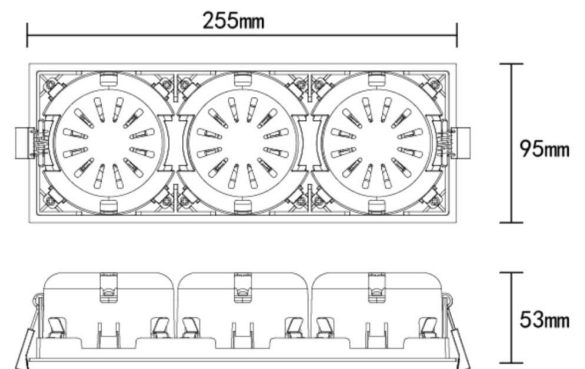
Material	Premium Grade Aluminum
Colour	Powdercoated Matt White / Black
Warranty	5 Year Replacement
Dimensions	255 x 95 x 53mm
Cutout	249mm x 89mm
Ingress Protection	IP54
Impact Rating	IK06

Electrical Specifications

Power Supply	Remote Driver, 500mA, Flicker Free
Operating Temperature (Ta)	-20°C to +45°C
Input Voltage	240V

Optic Specifications

Light Source	3 x Citizen 10W COB LED
Delivered Lumens	3000lm
CRI	>80
Reported L70 (Hours)	> 54,000 Hrs



VARIATIONS

LC3432B	WALTZ Triple 3x10W Rectangle Downlight, Black, 60°, Phase Dim, 2700K
LC3430W	WALTZ Triple 3x10W Rectangle Downlight, White, 60°, Phase Dim, 3000K
LC3430B	WALTZ Triple 3x10W Rectangle Downlight, Black, 60°, Phase Dim, 3000K
LC3431W	WALTZ Triple 3x10W Rectangle Downlight, White, 60°, Phase Dim, 4000K
LC3431B	WALTZ Triple 3x10W Rectangle Downlight, Black, 60°, Phase Dim, 4000K