

WINSLOW 1W

Surface Mount Wall Light with USB Port

The WINSLOW Wall Light is a sleek, surface mounted wall light, ideal for modern hotels and accommodation buildings. Designed with a USB port to cater for the increasing use of technology, the ability to charge devices from the bedside adds another level of functionality. The light is activated when the head is pulled out, and automatically turns off when pushed back into the holder, through a clever sensor switch. Available in black or white, the WINSLOW blends seamlessly with modern interiors.



SPECIFICATIONS

Material Specifications

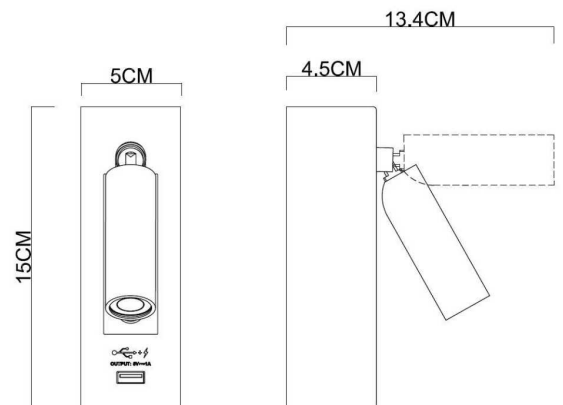
Material	Stainless Steel Base and Aluminium Head
Finish	Powder Coat
Ingress Protection	IP20
Warranty	5 Year Replacement

Electrical Specifications

Power Supply	SELF Driver, Non-Dim
USB Output	5V; 1A
Switch	Sensor Switch
Connection Method	Hard Wired

Optic Specifications

Light Source	Lumileds Luxeon 1W LED Chip
Delivered Lumens	123lm
Beam Angle	25°
Reported L70 (Hours)	>54,000 Hrs



VARIATIONS

LC4055	WINSLOW 1W Surface Mount Wall Light w. USB Port, White, Non-Dim, 3000K
LC4056	WINSLOW 1W Surface Mount Wall Light w. USB Port, Black, Non-Dim, 3000K