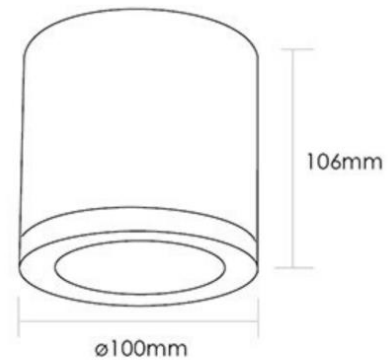




Product Overview

Product Name / Code	LITHO 9W Can Light - LC4106
Description	3000K, Frosted Lens, Black, Phase Dim
Manufacturer	Decrolux Lighting Pty Ltd



Laboratory and Equipment

System Name / Model	LabSpion / Freedom VIS (Custom Viso)
Manufacturer / Serial Number	Ibsen Photonics, Denmark / 2417457569
Sensor Name	LabSensor Model2
Sensor Serial Number / Calibration Date	3430823524 / 7/12/2022

Measurement Details

Test Date and Time	24/08/2023 2:38:29 PM
Operator	JE
C-Planes Measured	16
Measurement Resolution	22.5°
Measurement Distance	439.0cm
Measurement Number	VFR-230824-0184-MS
Tracking Link	http://www.visosystems.com/tracking/?id=VT230825-000333



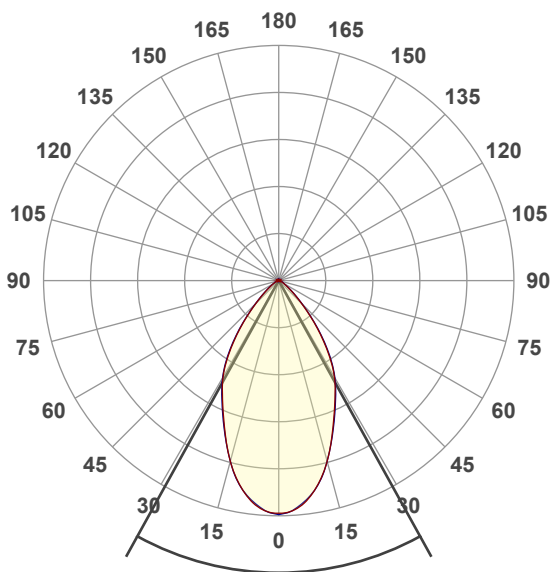
Performance

Total Lumen Output	904 lm
Light Efficiency	82 Lumen/Watt
Peak (cd)	922 cd
Nominal Power	11.0 W
Input Voltage	240 V
Power Factor	0.93

Optic Specifications

Colour Temperature	3004K
Light Quality	CRI 92.7
R₉ Value	67.4
Beam Angle	57.9°

Polar Diagram



Beam Angle 57.9°

Colour Rendering Index per reference colour

