



TECHLUME

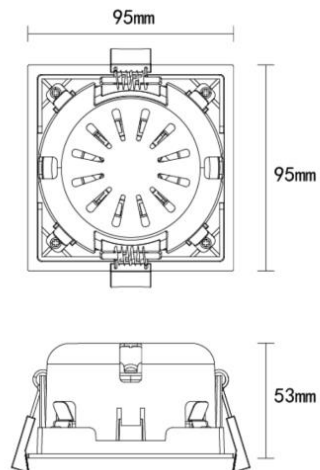
A U S T R A L I A

Product Overview

Product Name / Code: WALTZ Single 10W Square Gimbal Downlight - LC3420B

Description: 3000K, Black, Phase Dim

Manufacturer: Decrolux Lighting Pty Ltd



Laboratory and Equipment

System Name: LabSpion Goniometer

Sensor Name / Model: LabSensor Model2 / Freedom VIS (Custom Viso)

Calibration Date: 7/12/2022

Manufacturer: Viso Systems, Denmark

Measurement Details

Test Date and Time: 6/10/2023 11:37:38 AM

Measurement Method: Far Field, Type C Horizontal

Measurement Distance: 446.4 cm

Ambient Temperature: 25 °C ± 1 °C



Photometric Measurements

Total Luminous Flux	Luminous Efficacy	Luminous Intensity
954 lm	98 Lumen/watt	998 cd

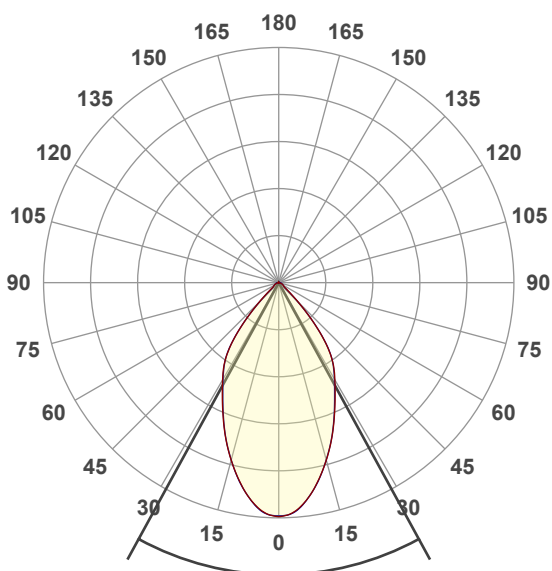
Correlated Colour Temperature, Target	Correlated Colour Temperature, Measured	Colour Rendering Index (CRI)
3000 K	3101 K	Ra 82.8

Electrical Measurements

Input Voltage	Input Current	Input Power	Input Voltage Frequency
240 VAC	0.043 A	9.7 W	60 Hz

Power Factor	Stabilisation Time	Stabilisation Variation	Hours Operated Prior to Test
0.94	Lamp stabilized in 30 min 0 sec	-1.0%	0 hours

Polar Diagram



Beam Angle **57.3°**

Colour Rendering Index Per Reference Colour

