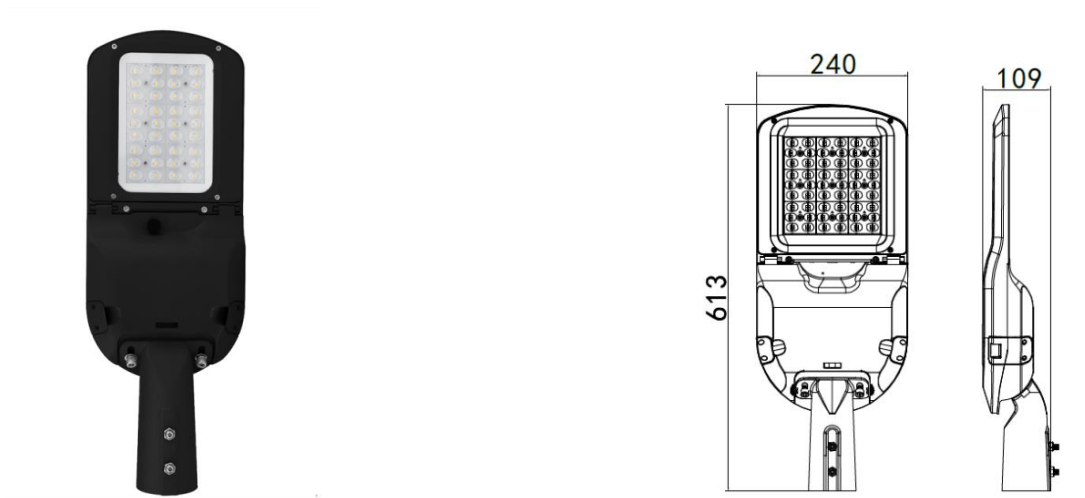


Product Overview

Product Name / Code	KINGSTON 100W Streetlight - LC6140-T2
Description	Spigot Dia 60mm, IP65, 4000K, Non-Dim, T2 Optic
Manufacturer	Decrolux Lighting Pty Ltd



Laboratory and Equipment

System Name / Model	LabSpion / Freedom VIS (Custom Viso)
Manufacturer / Serial Number	Ibsen Photonics, Denmark / 2417457569
Sensor Name	LabSensor Model2
Sensor Serial Number / Calibration Date	3430823524 / 7/12/2022

Measurement Details

Test Date and Time	3/04/2023 2:07:56 PM
Operator	Johnny Elmer
C-Planes Measured	72
Measurement Resolution	5°
Measurement Distance	457.7cm
Measurement Number	VFR-230403-0042-MS
Tracking Link	http://www.visosystems.com/tracking/?id=VT230403-003598



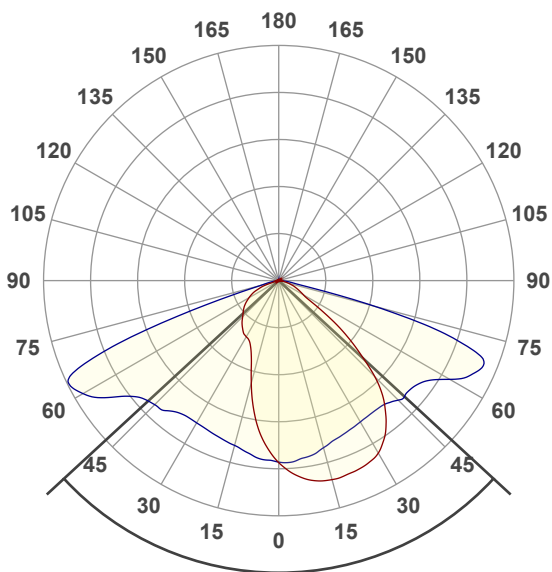
Performance

Total Lumen Output	14200 lm
Light Efficiency	144 Lumen/Watt
Peak (cd)	7754 cd
Nominal Power	98.4 W
Input Voltage	240 V
Power Factor	0.97

Optic Specifications

Colour Temperature	4119K
Light Quality	CRI 79.3
R₉ Value	-11.4
Beam Angle	94.6°

Polar Diagram



Beam Angle 94.6°

Colour Rendering Index per reference colour

