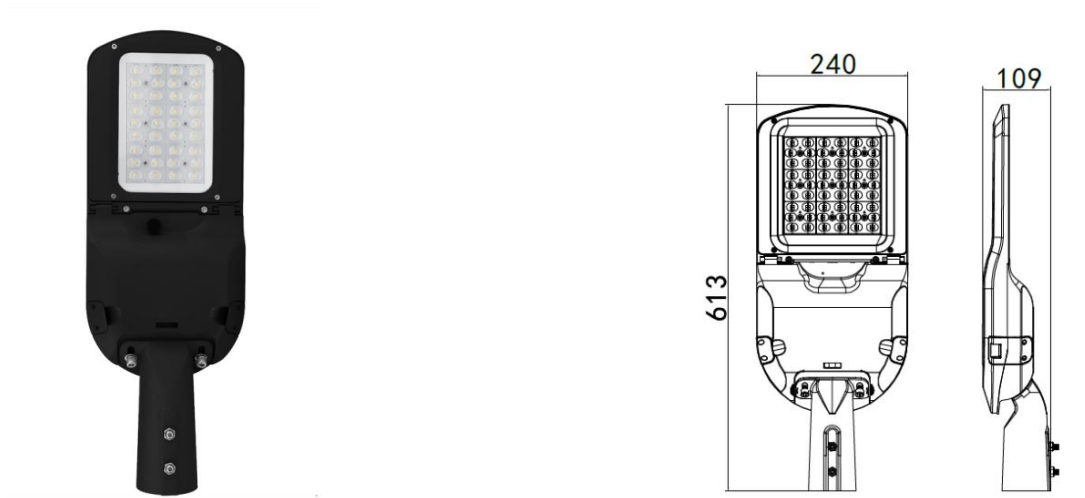




## Product Overview

<b>Product Name / Code</b>	KINGSTON 100W Streetlight - LC6140-T3
<b>Description</b>	Spigot Dia 60mm, IP65, 4000K, Non-Dim, T3 Optic
<b>Manufacturer</b>	Decrolux Lighting Pty Ltd



## Laboratory and Equipment

<b>System Name / Model</b>	LabSpion / Freedom VIS (Custom Viso)
<b>Manufacturer / Serial Number</b>	Ibsen Photonics, Denmark / 2417457569
<b>Sensor Name</b>	LabSensor Model2
<b>Sensor Serial Number / Calibration Date</b>	3430823524 / 7/12/2022

## Measurement Details

<b>Test Date and Time</b>	31/03/2023 12:13:02 PM
<b>Operator</b>	Johnny Elmer
<b>C-Planes Measured</b>	72
<b>Measurement Resolution</b>	5°
<b>Measurement Distance</b>	457.7cm
<b>Measurement Number</b>	VFR-230331-0039-MS
<b>Tracking Link</b>	<a href="http://www.visosystems.com/tracking/?id=VT230331-001716">http://www.visosystems.com/tracking/?id=VT230331-001716</a>



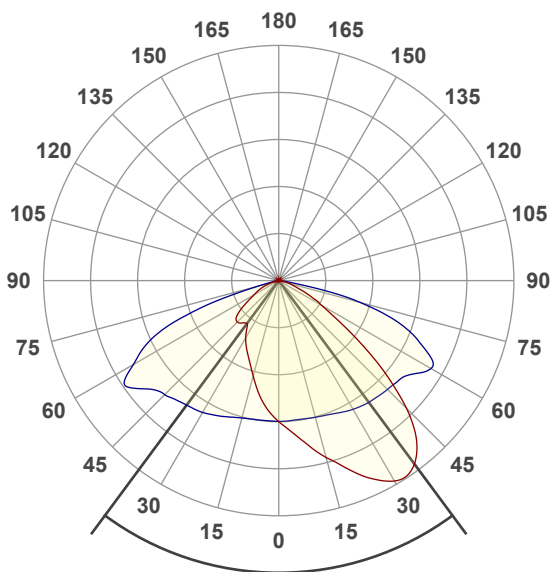
### Performance

<b>Total Lumen Output</b>	14369 lm
<b>Light Efficiency</b>	144 Lumen/Watt
<b>Peak (cd)</b>	7822 cd
<b>Nominal Power</b>	99.5 W
<b>Input Voltage</b>	240 V
<b>Power Factor</b>	0.97

### Optic Specifications

<b>Colour Temperature</b>	4068K
<b>Light Quality</b>	CRI 79.5
<b>R<sub>9</sub> Value</b>	-13.4
<b>Beam Angle</b>	73°

### Polar Diagram



**Beam Angle 73°**

### Colour Rendering Index per reference colour

