

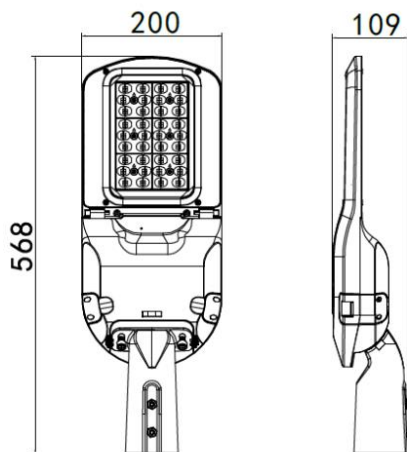


TECHLUME

A U S T R A L I A

Product Overview

Product Name / Code: KINGSTON 25W Streetlight - LC6105-T4
Description: Spigot Dia 60mm, IP66, 4000K, T4 optic
Manufacturer: Decrolux Lighting Pty Ltd



Laboratory and Equipment

System Name: LabSpion Goniometer
Sensor Name / Model: LabSensor Model2 / Freedom VIS (Custom Viso)
Calibration Date: 7/12/2022
Manufacturer: Viso Systems, Denmark

Measurement Details

Test Date and Time: 4/04/2023 4:58:20 PM
Measurement Method: Far Field, Type C Horizontal
Measurement Distance: 446.4 cm
Ambient Temperature: 25 °C ± 1 °C



Photometric Measurements

Total Luminous Flux	Luminous Efficacy	Luminous Intensity
4166 lm	157 Lumen/watt	2082 cd

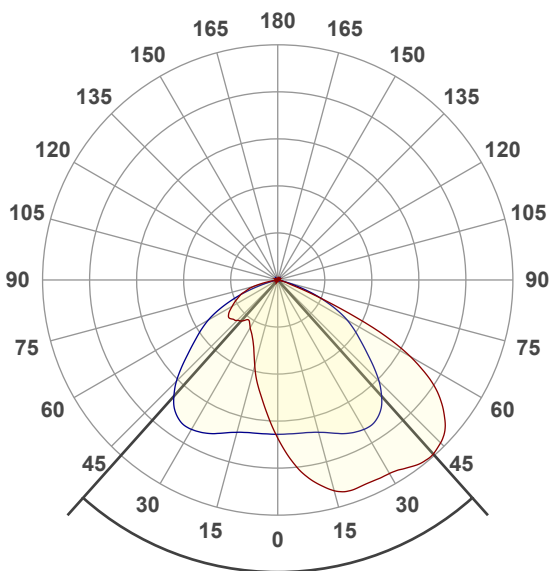
Correlated Colour Temperature, Target	Correlated Colour Temperature, Measured	Colour Rendering Index (CRI)
4000 K	4112 K	Ra 79.8

Electrical Measurements

Input Voltage	Input Current	Input Power	Input Voltage Frequency
240 VAC	0.119 A	26.5 W	60 Hz

Power Factor	Stabilisation Time	Stabilisation Variation	Hours Operated Prior to Test
0.93	Lamp stabilized in 15 min 2 sec	-0.2%	0 hours

Polar Diagram



Beam Angle **83.6°**

Colour Rendering Index Per Reference Colour

