

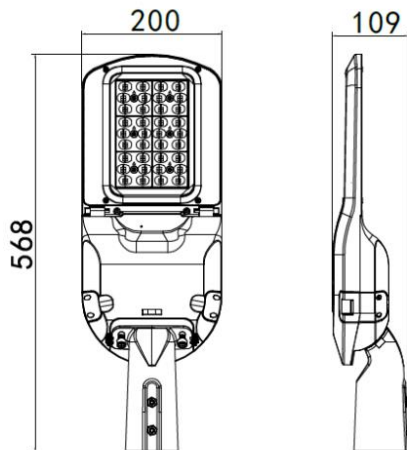


TECHLUME

A U S T R A L I A

Product Overview

Product Name / Code: KINGSTON 50W Streetlight - LC6115-T2
Description: Spigot Dia 60mm, IP65, 4000K, T2 Optic
Manufacturer: Decrolux Lighting Pty Ltd



Laboratory and Equipment

System Name: LabSpion Goniometer
Sensor Name / Model: LabSensor Model2 / Freedom VIS (Custom Viso)
Calibration Date: 16/12/2023
Manufacturer: Viso Systems, Denmark

Measurement Details

Test Date and Time: 31/01/2024 2:43:33 PM
Measurement Method: Far Field, Type C Horizontal
Measurement Distance: 446.4 cm
Ambient Temperature: 25 °C ± 1 °C



Photometric Measurements

Total Luminous Flux	Luminous Efficacy	Luminous Intensity
7926 lm	151 Lumen/watt	4562 cd

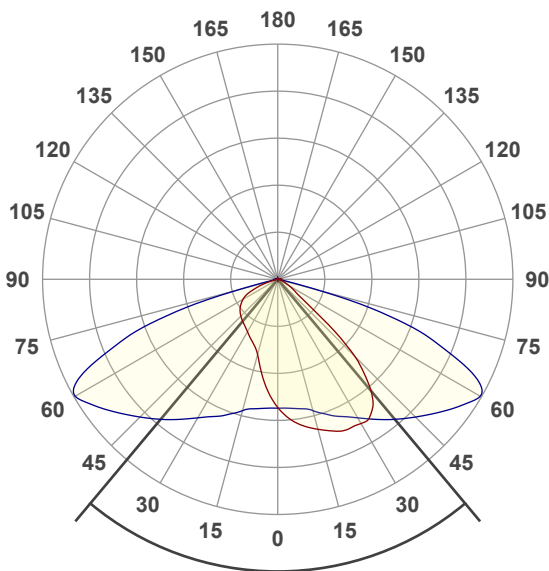
Correlated Colour Temperature, Target	Correlated Colour Temperature, Measured	Colour Rendering Index (CRI)
4000 K	3985 K	Ra 81.2

Electrical Measurements

Input Voltage	Input Current	Input Power	Input Voltage Frequency
240 VAC	0.224 A	52.6 W	60 Hz

Power Factor	Stabilisation Time	Stabilisation Variation	Hours Operated Prior to Test
0.98	Not completed	-0.9%	0 hours

Polar Diagram



Beam Angle 79.8°

Colour Rendering Index Per Reference Colour

