

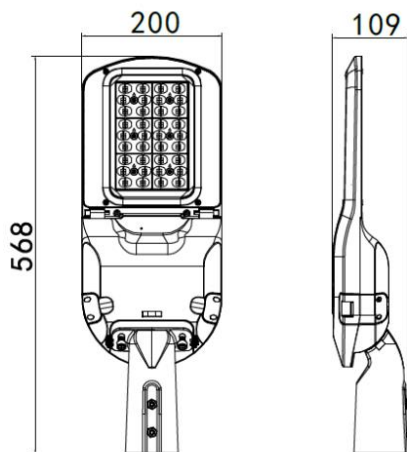


# TECHLUME

A U S T R A L I A

## Product Overview

Product Name / Code: KINGSTON 50W Streetlight - LC6115-T3  
Description: Spigot Dia 60mm, IP65, 4000K, T3 Optic  
Manufacturer: Decrolux Lighting Pty Ltd



## Laboratory and Equipment

System Name: LabSpion Goniometer  
Sensor Name / Model: LabSensor Model2 / Freedom VIS (Custom Viso)  
Calibration Date: 7/12/2022  
Manufacturer: Viso Systems, Denmark

## Measurement Details

Test Date and Time: 6/04/2023 11:15:28 AM  
Measurement Method: Far Field, Type C Horizontal  
Measurement Distance: 446.4 cm  
Ambient Temperature: 25 °C ± 1 °C



### Photometric Measurements

Total Luminous Flux	Luminous Efficacy	Luminous Intensity
7989 lm	160 Lumen/watt	4447 cd

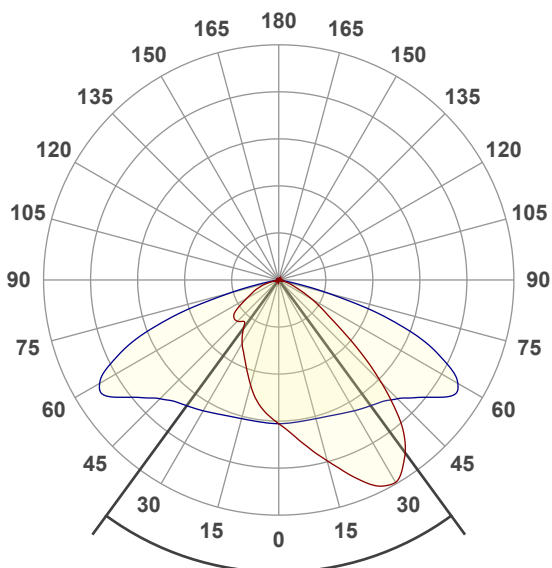
Correlated Colour Temperature, Target	Correlated Colour Temperature, Measured	Colour Rendering Index (CRI)
4000 K	4098 K	Ra 79.2

### Electrical Measurements

Input Voltage	Input Current	Input Power	Input Voltage Frequency
240 VAC	0.213 A	50.1 W	60 Hz

Power Factor	Stabilisation Time	Stabilisation Variation	Hours Operated Prior to Test
0.98	Lamp stabilized in 15 min 2 sec	-0.1%	0 hours

### Polar Diagram



Beam Angle **72.4°**

### Colour Rendering Index Per Reference Colour

