



TECHLUME

A U S T R A L I A

Product Overview

Product Name / Code:

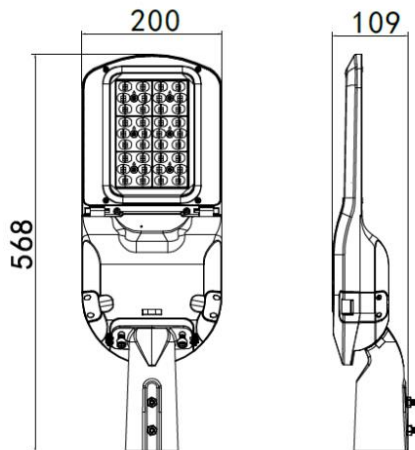
KINGSTON 50W Streetlight - LC6115-T4

Description:

Spigot Dia 60mm, IP65, 4000K, T4 Optic

Manufacturer:

Decrolux Lighting Pty Ltd



Laboratory and Equipment

System Name:

LabSpion Goniometer

Sensor Name / Model:

LabSensor Model2 / Freedom VIS (Custom Viso)

Calibration Date:

7/12/2022

Manufacturer:

Viso Systems, Denmark

Measurement Details

Test Date and Time:

6/04/2023 1:33:55 PM

Measurement Method:

Far Field, Type C Horizontal

Measurement Distance:

446.4 cm

Ambient Temperature:

25 °C ± 1 °C



Photometric Measurements

| Total Luminous Flux | Luminous Efficacy | Luminous Intensity |
|---------------------|-------------------|--------------------|
| 7795 lm | 161 Lumen/watt | 3837 cd |

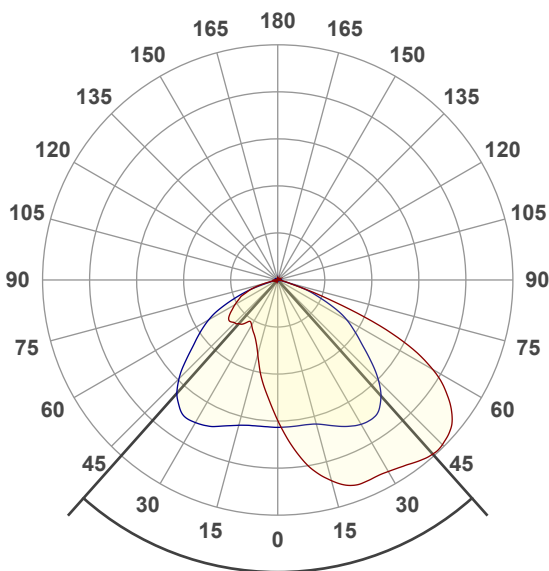
| Correlated Colour Temperature, Target | Correlated Colour Temperature, Measured | Colour Rendering Index (CRI) |
|---------------------------------------|---|------------------------------|
| 4000 K | 4135 K | Ra 79.6 |

Electrical Measurements

| Input Voltage | Input Current | Input Power | Input Voltage Frequency |
|---------------|---------------|-------------|-------------------------|
| 240 VAC | 0.206 A | 48.4 W | 60 Hz |

| Power Factor | Stabilisation Time | Stabilisation Variation | Hours Operated Prior to Test |
|--------------|-------------------------------------|-------------------------|------------------------------|
| 0.98 | Lamp stabilized in 34 min 17 sec | -0.8% | 0 hours |

Polar Diagram



Beam Angle **83.4°**

Colour Rendering Index Per Reference Colour

