

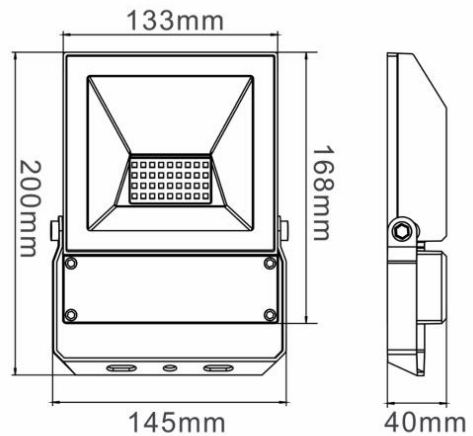


TECHLUME

A U S T R A L I A

Product Overview

Product Name / Code: AZTEC 20W Floodlight - LC2547
Description: 24V, 3000K, 120°, IP65, Black, Non-Dim
Manufacturer: Decrolux Lighting Pty Ltd



Laboratory and Equipment

System Name: LabSpion Goniometer
Sensor Name / Model: LabSensor Model2 / Freedom VIS (Custom Viso)
Calibration Date: 7/12/2022
Manufacturer: Viso Systems, Denmark

Measurement Details

Test Date and Time: 25/05/2023 12:09:05 PM
Measurement Method: Far Field, Type C Horizontal
Measurement Distance: 446.4 cm
Ambient Temperature: 25 °C ± 1 °C



Photometric Measurements

Total Luminous Flux	Luminous Efficacy	Luminous Intensity
3048 lm	0 Lumen/watt	1334 cd

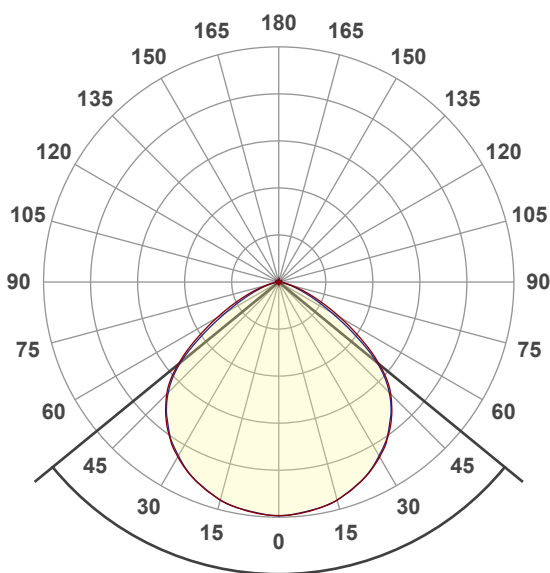
Correlated Colour Temperature, Target	Correlated Colour Temperature, Measured	Colour Rendering Index (CRI)
3000 K	3074 K	Ra 70.8

Electrical Measurements

Input Voltage	Input Current	Input Power	Input Voltage Frequency
0.000 VAC	0.000 A	0.00 W	0 Hz

Power Factor	Stabilisation Time	Stabilisation Variation	Hours Operated Prior to Test
0.0	Lamp stabilized in 58 min 46 sec	-2.8%	0 hours

Polar Diagram



Beam Angle 101.4°

Colour Rendering Index Per Reference Colour

