

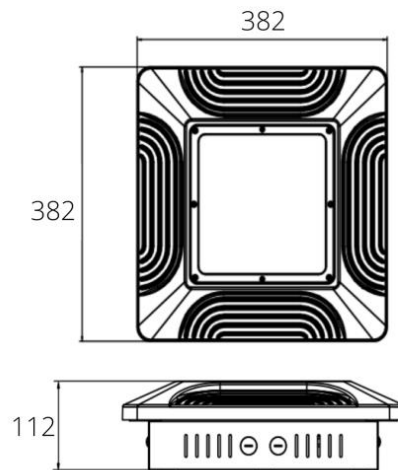


# TECHLUME

A U S T R A L I A

## Product Overview

Product Name / Code:	LAWSON MK-II 100W Canopy Light - LC2850
Description:	Surface Mount, White, 4000K, 382mm x 382mm, Non-Dim
Manufacturer:	Decrolux Lighting Pty Ltd



## Laboratory and Equipment

System Name:	LabSpion Goniometer
Sensor Name / Model:	LabSensor Model2 / Freedom VIS (Custom Viso)
Calibration Date:	7/12/2022
Manufacturer:	Viso Systems, Denmark

## Measurement Details

Test Date and Time:	18/04/2023 3:25:06 PM
Measurement Method:	Far Field, Type C Horizontal
Measurement Distance:	446.4 cm
Ambient Temperature:	25 °C ± 1 °C



### Photometric Measurements

Total Luminous Flux	Luminous Efficacy	Luminous Intensity
17797 lm	164 Lumen/watt	6467 cd

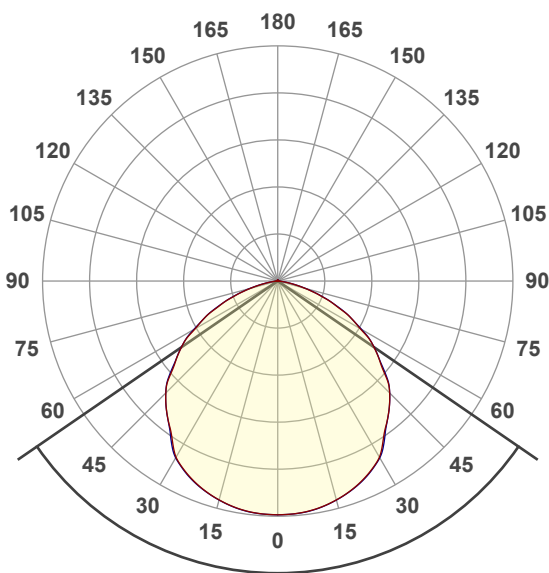
Correlated Colour Temperature, Target	Correlated Colour Temperature, Measured	Colour Rendering Index (CRI)
4000 K	4034 K	Ra 81.4

### Electrical Measurements

Input Voltage	Input Current	Input Power	Input Voltage Frequency
240 VAC	0.464 A	108.7 W	60 Hz

Power Factor	Stabilisation Time	Stabilisation Variation	Hours Operated Prior to Test
0.98	Not completed	0.0%	0 hours

### Polar Diagram



Beam Angle **111°**

### Colour Rendering Index Per Reference Colour

