

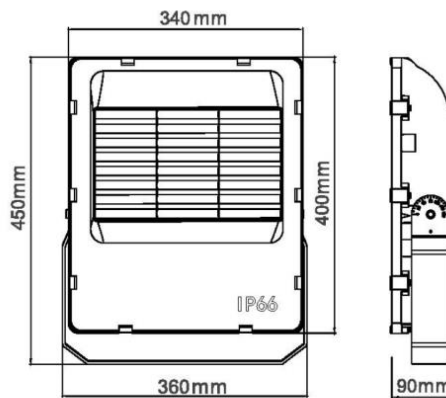


TECHLUME

A U S T R A L I A

Product Overview

Product Name / Code: LENNOX 120W Floodlight - LC2534
Description: 5700K, 90x40°, IP66, Black, Non-Dim
Manufacturer: Decrolux Lighting Pty Ltd



Laboratory and Equipment

System Name: LabSpion Goniometer
Sensor Name / Model: LabSensor Model2 / Freedom VIS (Custom Viso)
Calibration Date: 16/12/2023
Manufacturer: Viso Systems, Denmark

Measurement Details

Test Date and Time: 24/01/2024 1:45:47 PM
Measurement Method: Far Field, Type C Horizontal
Measurement Distance: 446.4 cm
Ambient Temperature: 25 °C ± 1 °C



Photometric Measurements

Total Luminous Flux	Luminous Efficacy	Luminous Intensity
17494 lm	151 Lumen/watt	16803 cd

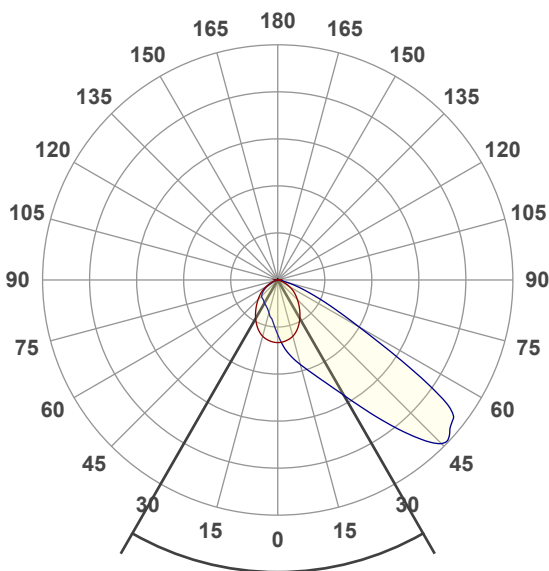
Correlated Colour Temperature, Target	Correlated Colour Temperature, Measured	Colour Rendering Index (CRI)
5700 K	5685 K	Ra 73.3

Electrical Measurements

Input Voltage	Input Current	Input Power	Input Voltage Frequency
240 VAC	0.494 A	115.5 W	60 Hz

Power Factor	Stabilisation Time	Stabilisation Variation	Hours Operated Prior to Test
0.97	Lamp stabilized in 30 min 4 sec	-2.0%	0 hours

Polar Diagram



Beam Angle **59.7°**

Colour Rendering Index Per Reference Colour

